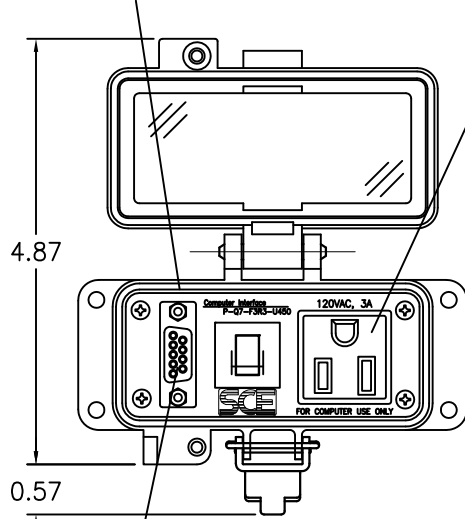


# SAGINAW CONTROL & ENGINEERING

## P-Q7-F3R3-U450

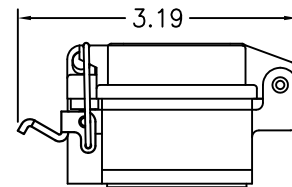
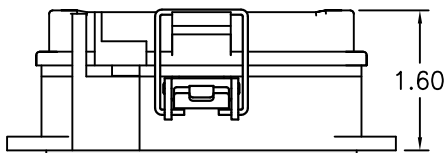
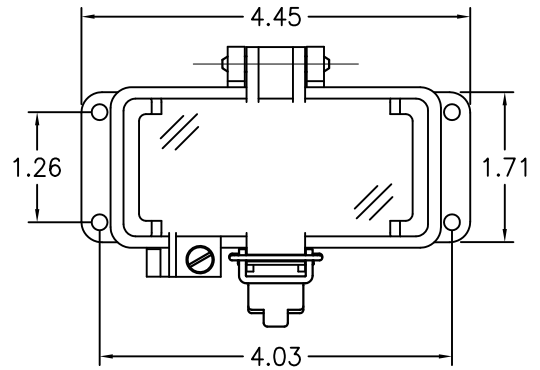
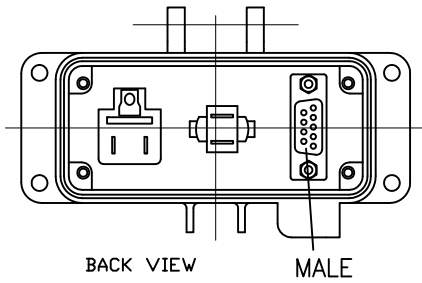
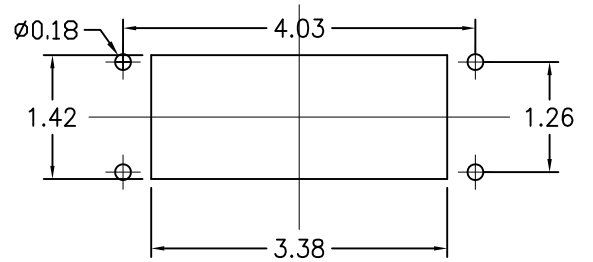
NEMA 12/4 GASKETED HOUSING WITH HINGED COVER (CODE:F3)

120VAC OUTLET W/ 3A CIRCUIT BREAKER (CODE:R3)



DB9 F/M BULKHEAD CONNECTOR (CODE:Q7)

### CUTOUT DETAIL



**NOTE:**

- 1.) HOUSING INSERTS COMPONENT LOCATIONS ARE APPROXIMATE.
- 2.) HOUSINGS ARE UL RECOGNIZED TYPE 4 MINIMUM OTHER ENVIRONMENTAL RATINGS MAY APPLY.
- 3.) FINAL ASSEMBLIES: UL RECOGNIZED, CSA, AND CE MAY APPLY CONSULT FACTORY.
- 4.) COVERS: CLEAR, UL V0 FLAME RATING, & UV RATED.